



# PRINT SOLUTIONS FOR FORM FILL SEALERS

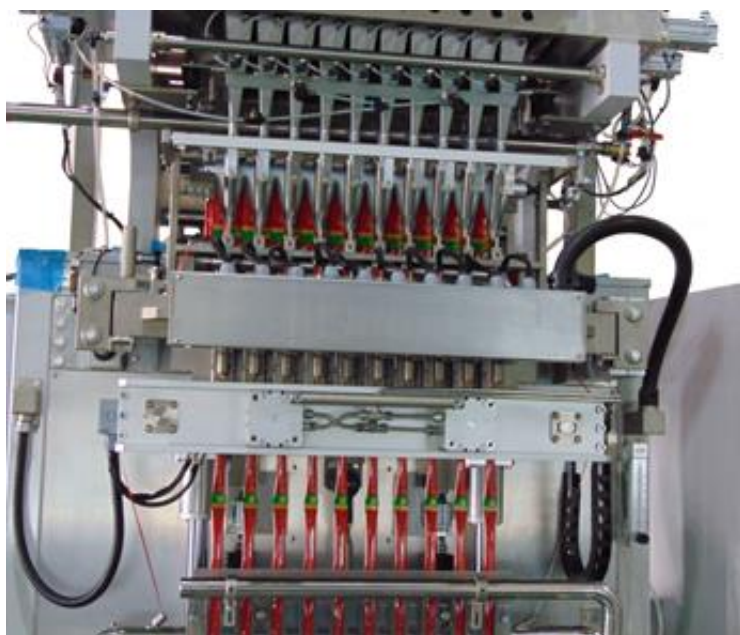


# SIMPLE AND SOLID PRINTER INTEGRATION

High resolution printers from norwix provide a versatile, cost-effective and solid solution to meet the need for variable data printing in a range of Form and Fill Sealers (FFS).

Designed to be highly configurable allowing for multiple print lanes to be coded without shuttling print heads or expensive laser systems. The unit can be integrated into almost any VFFS machine, regardless of seal type whether pillow, gusseted, block, or doy. Longitudinal and horizontal printing can also be accommodated with ease

With a small footprint, a modular design and with no moving parts to consider, norwix print solutions gives maximum uptime with almost no maintenance and comes with a true Lifetime Warranty on all parts.



## Better Throughput

Although norwix printers can print at line speeds of over 160m/min, this is not the major throughput enhancement. Instead it is the ease with which the print system can be running in a matter of seconds with the minimum of user intervention, ensuring maximum productivity at all times.



- Maximum uptime at all time
- Be ready to print in seconds
- Single button start

## Smarter Solution

Utilizing industrial touch screen User Interfaces, the software has solid, dependable functionality with a proven ability to rapidly integrate into external systems. from databases to other equipment on the packaging line.

- Seamless integration in FFS equipment
- Simple print template design
- Effective management and operational software

## More Cost Effective

With TIJ based print heads from norwix, you use only the ink you print. No overuse of ribbons in TTO print systems and no messy and smelly CIJ printers venting solvents into your plant. And certainly much less expensive that complex Laser based systems.

- Reduced consumable costs
- No maintenance costs
- Longer time between changeover

# ONE SOLUTION FOR ALL APPLICATIONS



## Cleaner to Use

Unlike other print solutions such as CIJ and Thermal transfer (TTO), the iSP is inherently clean, utilizing HP based Thermal Inkjet (TIJ) technology. The ink is sealed within cartridges and is sprayed only when required.

- Open frame design for easy cleaning and maintenance
- HP based Thermal Inkjet technology keeps area mess-free
- No VOC's as part of the ink delivery system

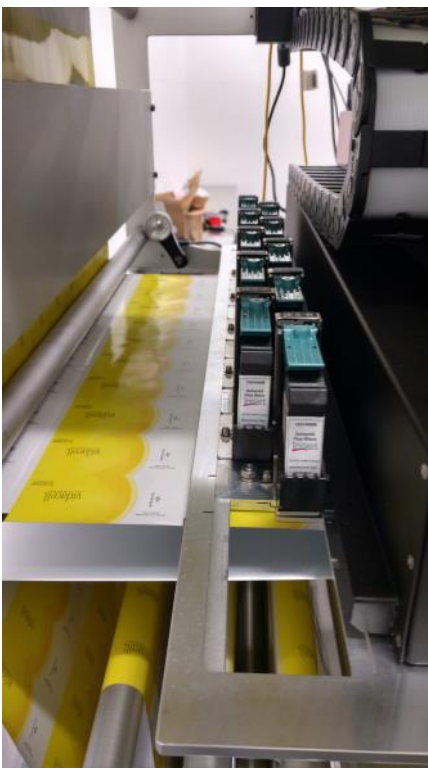
## Lifetime Warranty

A guarantee of reliability is what your business needs today. And a company to stand behind its words.

norwix does just this by offering a genuine Lifetime Warranty on its hardware. If there is ever a problem, we will replace it free of charges for the Lifetime of that product whether 1 year or 10 years from now.



## Pay less, Get More



If you have used other print technologies, then you know how costly it can get. Why pay more when you can get better throughput, zero maintenance, simple installation and guaranteed performance with a Lifetime Warranty.

For example a complete system including industrial color, touch screens, print head assemblies, sensors and encoders can be obtained for a fraction of what you currently pay.

- Replacing CIJ—No shuttling heads, no mess, no smell.
- Replacing TTO—No ribbons, no replacing of print heads
- Replacing Laser—No hardware costs, no extraction systems

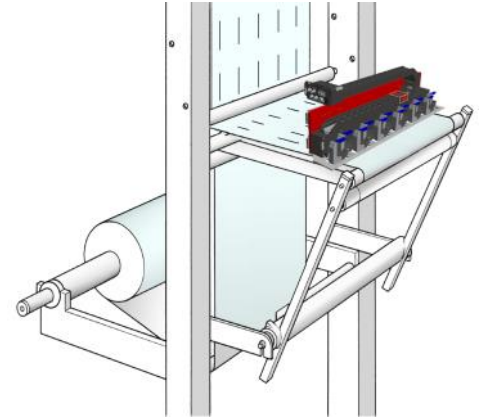


# iSP FOR MULTILANE APPLICATIONS

The high resolution iSP printers provide a versatile, cost-effective and solid solution to meet the need for variable data printing in a range of Vertical Form and Fill Sealers (VFFS).

Designed to be highly configurable allowing for multiple print lanes to be coded without shuttling print heads or expensive laser systems. The unit can be bolted into almost any VFFS machine, regardless of seal type whether pillow, gusseted, block, or doyp. Longitudinal and horizontal printing can be accommodated with ease

No unreliable and expensive shuttling system, no complex ribbons to change. With a small footprint, a modular design and with no moving parts to consider, this print solution gives maximum uptime with almost no maintenance and comes with a true Lifetime Warranty on all parts.



### Energy Chain

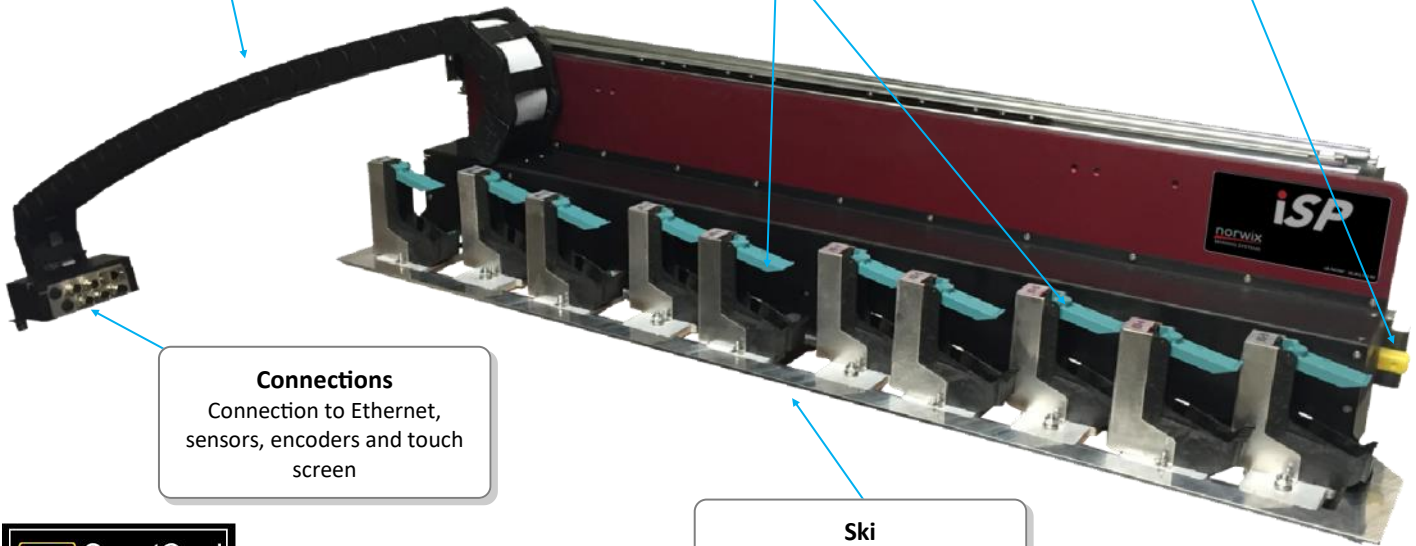
Carries power and printer signals to the printhead for a lifetime of use

### Printheads

Ability to load as many printheads as required for the specific application

### Slider mount

Enables entire print head assembly to be moved away from the print area to load cartridges



### Connections

Connection to Ethernet, sensors, encoders and touch screen

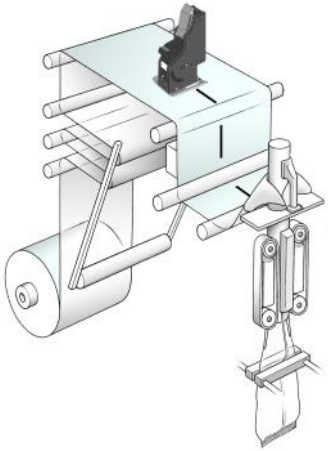
### Ski

Adjust print head placement simply and quickly to suit your specific application



Model	Max Foil Width	No of Lanes Supported	Unit Size
iSP600	600mm	4 to 10	686mm x 210mm x 191mm
iSP800	800mm	8 to 12	866mm x 210mm x 191mm
iSP1000	1000mm	9 to 14	996mm x 210mm x 191mm
iSP1200	1200mm	13 to 18	1270mm x 210mm x 191mm

# .UNO Plus FOR 1 to 4 LANE APPLICATIONS



The .UNO Plus packaging printer's all-in-one print heads and screen give you a simple, yet incredibly powerful way to print in single lane scenarios or up to 4 separate lanes, making them ideal for VFFS Applications

Using norwix's proven and highly reliable print solutions based on Hewlett-Packard technology, the .UNO Plus packaging printer is the ideal product for serialization, barcodes and human-readable printing, in a small, yet easily integrated format

The .UNO solutions are the lowest costs to buy, install and operate on the market, yet giving stunning and reliable performance every print, every day.

## Color Touch Screen

Industrial grade touch screen with sophisticated, simple to use control and monitoring software

# .unoplus

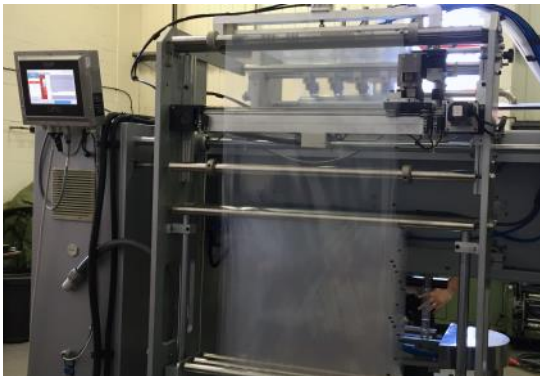
## Print Heads

Up to 4 print heads for simple integration into VFFS applications . Small footprint




## Connections

Connection to Ethernet, sensors, encoders and touch screen



# Usage Estimates

The following gives a solid estimation on estimates how many prints you can get from a single cartridge, based on what you are printing. For more information, contact your norwix sales representative

Font size	Example	Print Resolution	No images per cartridge
9 pt	JAN 07 2021 08:15	300 x 300	580,000
10 pt	LOT 66G7 EXP 07 JAN 2021	300 x 300	260,000
12 pt	USE BY 07 JAN 2021 7D 5766	300 x 300	185,000
18 pt	JAN 07 21 H7788857	300 x 300	104,000
32 pt	01/07/21 08:15 A	300 x 300	52,000
N/A	 (01) 012345678901231 (10) HJS649 (17) 28 02 2015 (21) 923Z845Y716W	300 x 300	73,000



Norwix Marking Systems  
 31 Clinton Avenue  
 Norwich, CT 06360  
 USA

Tel: +1-860-823-3090  
 Email: [sales@norwix.com](mailto:sales@norwix.com)